

Honeywell

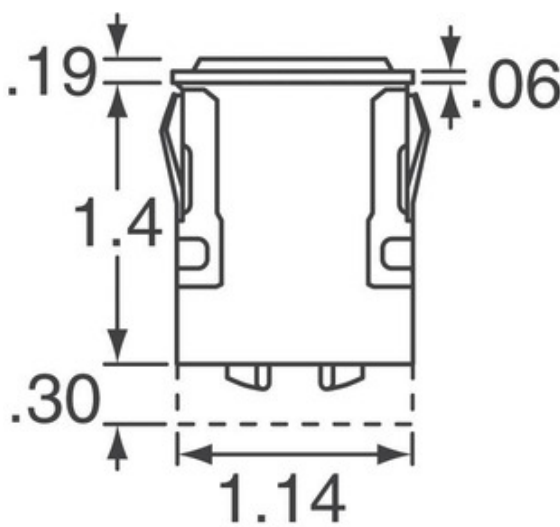
Honeywell Sensing and Productivity Solutions

AML32FBP4AD

Nimewo Pati: AML32FBP4AD
 Manifakti / Brand: Honeywell Sensing and Productivity Solutions
 Pwodwi deskripsyon: SWITCH PUSH DPST-NO 10A 125V
 Datasheets: [1.AML32FBP4AD.pdf](#), [2.AML32FBP4AD.pdf](#), [3.AML32FBP4AD.pdf](#), [4.AML32FBP4AD.pdf](#)
 RoHS Status: Plon gratis / RoHS konfòme
 Stock kondisyon: 2206 pcs stock
 Bato de: Hong Kong
 Shipment Way: DHL/Fedex/TNT/UPS/EMS

DEMANN POU SITASYON

Productivity Solutions



Imaj ka reprezantasyon. Gade espesifikasyon pou detay pwodwi.

Espesifikasyon nan AML32FBP4AD

NIMEWO PATI	AML32FBP4AD
MANIFAKTI	Honeywell Sensing and Productivity Solutions
DESKRIPSYON	SWITCH PUSH DPST-NO 10A 125V
PLON GRATIS STATUS / ROHS STATUS	Plon gratis / RoHS konfòme
KANTITE KI DISPONIB	2206 pcs
DONE FÈY	1.AML32FBP4AD.pdf , 2.AML32FBP4AD.pdf , 3.AML32FBP4AD.pdf , 4.AML32FBP4AD.pdf
RATING VOLTAGE - DC	30V
RATING VOLTAGE - AC	125V
KALITE	Standard, Illuminated
STYLE REVOKASYON	Solder, Quick Connect - 0.187" (4.7mm)
FONKSYON CHANJMAN	Off-On
SERI	AML32
DIMANSYON DIMANSYON DU	Rectangular - 29.00mm x 19.00mm
ANBALAJ	Bulk
LÒT NON YO	480-6961 AML32FBP4AD-ND
OPERATING TANPERATI	-
MOUNTING KALITE	Panel Mount, Snap-In
IMIDITE SANSIBLITE NIVO (MSL)	1 (Unlimited)
LAVI MEKANIK	25,000 Cycles
PLON GRATIS STATUS / ROHS STATUS	Lead free / RoHS Compliant
PWOTEKSYON INGRESS	-
EKLERAJ VOLTAGE (NOMINAL)	250 VAC
KALITE LUMIÈRES, KOULÈ	Neon, Green
KARAKTERISTIK YO	-
LAVI ELEKTRIK	25,000 Cycles
DETAYE DESKRIPSYON	Pushbutton Switch DPST-NO (DM) Standard, Illuminated Panel Mount, Snap-In
KOURAN RATING	10A (AC/DC)
KOULÈ - AKTUATOR / CAP	-
AWONDISMAN	DPST-NO (DM)
KALITE AKTUATOR	Rectangular, Button (Not Included)

Tags ki gen rapò

Honeywell Sensing and Productivity Solutions AML32FBP4AD	AML32FBP4AD Distributor	AML32FBP4AD Founisè
AML32FBP4AD Pri	AML32FBP4AD Foto	AML32FBP4AD Imaj
AML32FBP4AD PDF Datasheet	AML32FBP4AD Download Datasheet	AML32FBP4AD Datasheet
AML32FBP4AD Stock	Achte AML32FBP4AD	Achte Honeywell Sensing and Productivity Solutions AML32FBP4AD
Honeywell Sensing and Productivity Solutions AML32FBP4AD	Honeywell Sensing and Productivity Solutions Founisè	Honeywell Sensing and Productivity Solutions Distribitè
Honeywell Sensing and Productivity Solutions AML32FBP4AD	HONEYWELL AML32FBP4AD	Honeywell Sensing and Control EMEA AML32FBP4AD
Honeywell Sensing and Productivity Solutions T&M AML32FBP4AD		

Pwodwi ki gen rapò

<p>AML32FBK7AD Konpayi fabrikasyon: Honeywell Sensing and Productivity Deskripsyon: SWITCH PUSH DPST-NO 10A 125V Nan stok: 2623 pcs RFQ</p>	<p>AML32FBP4AD-001 Konpayi fabrikasyon: Honeywell Sensing and Productivity Deskripsyon: PUSHBUTTON SWITCH Nan stok: 5695 pcs RFQ</p>
<p>AML32FBL7AD Konpayi fabrikasyon: Honeywell Sensing and Productivity Deskripsyon: SWITCH PUSH DPST-NO 10A 125V Nan stok: 2638 pcs RFQ</p>	<p>AML32FBM4AC Konpayi fabrikasyon: Honeywell Sensing and Productivity Deskripsyon: SWITCH PUSH DPST-NO 10A 125V Nan stok: 6816 pcs RFQ</p>
<p>AML32FBK4AC Konpayi fabrikasyon: Honeywell Sensing and Productivity Deskripsyon: SWITCH PUSH DPST-NO 10A 125V Nan stok: 2695 pcs RFQ</p>	<p>AML32FBM7AD Konpayi fabrikasyon: Honeywell Sensing and Productivity Deskripsyon: SWITCH PUSH DPST-NO 10A 125V Nan stok: 2667 pcs RFQ</p>
<p>AML32FBP7AD Konpayi fabrikasyon: Honeywell Sensing and Productivity Deskripsyon: SWITCH PUSH DPST-NO 10A 125V Nan stok: 2556 pcs RFQ</p>	<p>AML32LBC7AD Konpayi fabrikasyon: Honeywell Sensing and Productivity Deskripsyon: SWITCH PUSH DPST-NO 10A 125V Nan stok: 2668 pcs RFQ</p>
<p>AML32FBK4AD Konpayi fabrikasyon: Honeywell Sensing and Productivity Deskripsyon: SWITCH PUSH DPST-NO 10A 125V Nan stok: 2089 pcs RFQ</p>	<p>AML32LBC4AD Konpayi fabrikasyon: Honeywell Sensing and Productivity Deskripsyon: SWITCH PUSH DPST-NO 10A 125V Nan stok: 6057 pcs RFQ</p>
<p>AML32LBB7AD Konpayi fabrikasyon: Honeywell Sensing and Productivity Deskripsyon: SWITCH PUSH DPST-NO 10A 125V Nan stok: 3417 pcs RFQ</p>	<p>AML32LBK7AD Konpayi fabrikasyon: Honeywell Sensing and Productivity Deskripsyon: SWITCH PUSH DPST-NO 10A 125V Nan stok: 5770 pcs RFQ</p>

