

Grayhill, Inc.

70M-IAC24A

Nimewo Pati:

70M-IAC24A

Manifakti / Brand:

Grayhill, Inc.

Pwodwi deskripsyon

AC INPUT MODULE 240V

Datasheets:

70M-IAC24A.pdf

RoHS Status

Plon gratis / RoHS konfòme

Stock kondisyon

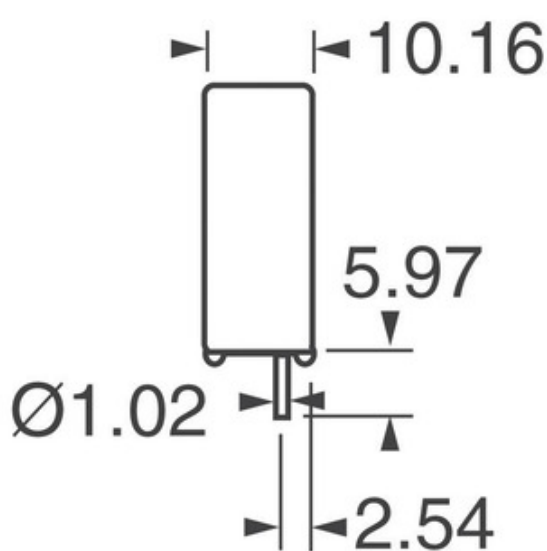
6491 pcs stock

Bato de

Hong Kong

Shipment Way

DHL/Fedex/TNT/UPS/EMS



Imaj ka reprezantasyon. Gade espesifikasyon pou detay pwodwi.

Espesifikasyon nan 70M-IAC24A

NIMEWO PATI	70M-IAC24A
MANIFAKTI	Grayhill, Inc.
DESKRIPSYON	AC INPUT MODULE 240V
PLON GRATIS STATUS / ROHS STATUS	Plon gratis / RoHS konfòme
KANTITE KI DISPONIB	6491 pcs
DONE FÈY	70M-IAC24A.pdf
VOLTAGE - SÒTI	24VDC
VOLTAGE - ANTRE	240VAC
KALITE	AC Input Module
VIRE SOU TAN	20ms
FÈMEN TAN	20ms
STYLE	Mini
SERI	70
IMIDITE SANSIBLITE NIVO (MSL)	1 (Unlimited)
PLON GRATIS STATUS / ROHS STATUS	Lead free / RoHS Compliant
KARAKTERISTIK YO	-
DETAYE DESKRIPSYON	AC Input Module Output Module 10mA 24VDC Output 240VAC Supply
KOURAN - SÒTI	10mA
KOURAN - ANTRE	6mA
KOULÈ	Yellow

Tags ki gen rapò

Grayhill, Inc. 70M-IAC24A	70M-IAC24A Distributor	70M-IAC24A Founisè
70M-IAC24A Pri	70M-IAC24A Foto	70M-IAC24A Imaj
70M-IAC24A PDF Datasheet	70M-IAC24A Download Datasheet	70M-IAC24A Datasheet
70M-IAC24A Stock	Achte 70M-IAC24A	Achte Grayhill, Inc. 70M-IAC24A
Grayhill, Inc. 70M-IAC24A	Grayhill, Inc. Founisè	Grayhill, Inc. Distribitè
Grayhill, Inc. 70M-IAC24A	Grayhill Inc. 70M-IAC24A	

Pwodwi ki gen rapò

<p>70M-IAC24 Konpayi fabrikasyon: Grayhill, Inc. Deskripsyon: AC INPUT MODULE 120V Nan stok: 8328 pcs</p> <p></p>	<p>70M-IDC5N Konpayi fabrikasyon: Grayhill, Inc. Deskripsyon: AC/DC INPUT MODULE 35-60V Nan stok: 7618 pcs</p> <p></p>
<p>70M-IDC24 Konpayi fabrikasyon: Grayhill, Inc. Deskripsyon: DC INPUT MODULE 3-32V Nan stok: 7924 pcs</p> <p></p>	<p>70M-IAC5A Konpayi fabrikasyon: Grayhill, Inc. Deskripsyon: AC INPUT MODULE 240V Nan stok: 7462 pcs</p> <p></p>
<p>70M-IAC15A Konpayi fabrikasyon: Grayhill, Inc. Deskripsyon: AC INPUT MODULE 240V Nan stok: 6349 pcs</p> <p></p>	<p>70M-8A Konpayi fabrikasyon: Bussmann (Eaton) Deskripsyon: FUSE CARTRIDGE 8A 125VAC/300VDC Nan stok: 3411 pcs</p> <p></p>
<p>70M-IAC15 Konpayi fabrikasyon: Grayhill, Inc. Deskripsyon: AC INPUT MODULE 120V Nan stok: 6338 pcs</p> <p></p>	<p>70M-IDC5NP Konpayi fabrikasyon: Grayhill, Inc. Deskripsyon: AC/DC INPUT MOD 15-32V/10-32V Nan stok: 6512 pcs</p> <p></p>
<p>70M-IDC5G Konpayi fabrikasyon: Grayhill, Inc. Deskripsyon: AC/DC INPUT MODULE 35-60V Nan stok: 6842 pcs</p> <p></p>	<p>70M-IDC15 Konpayi fabrikasyon: Grayhill, Inc. Deskripsyon: DC INPUT MODULE 3-32V Nan stok: 7424 pcs</p> <p></p>
<p>70M-IDC5 Konpayi fabrikasyon: Grayhill, Inc. Deskripsyon: DC INPUT MODULE 3-32V Nan stok: 7608 pcs</p> <p></p>	<p>70M-IAC5 Konpayi fabrikasyon: Grayhill, Inc. Deskripsyon: AC INPUT MODULE 120V Nan stok: 7587 pcs</p> <p></p>

Copyright © 2020 serye distribitè nan eleman elektwonik

E-mail: Info@infinity-electronic.com

Adrès: 17F, Gaylord Komèsyal Building, 114-118 Lockhart Road, Wan Chai, Hong Kong

