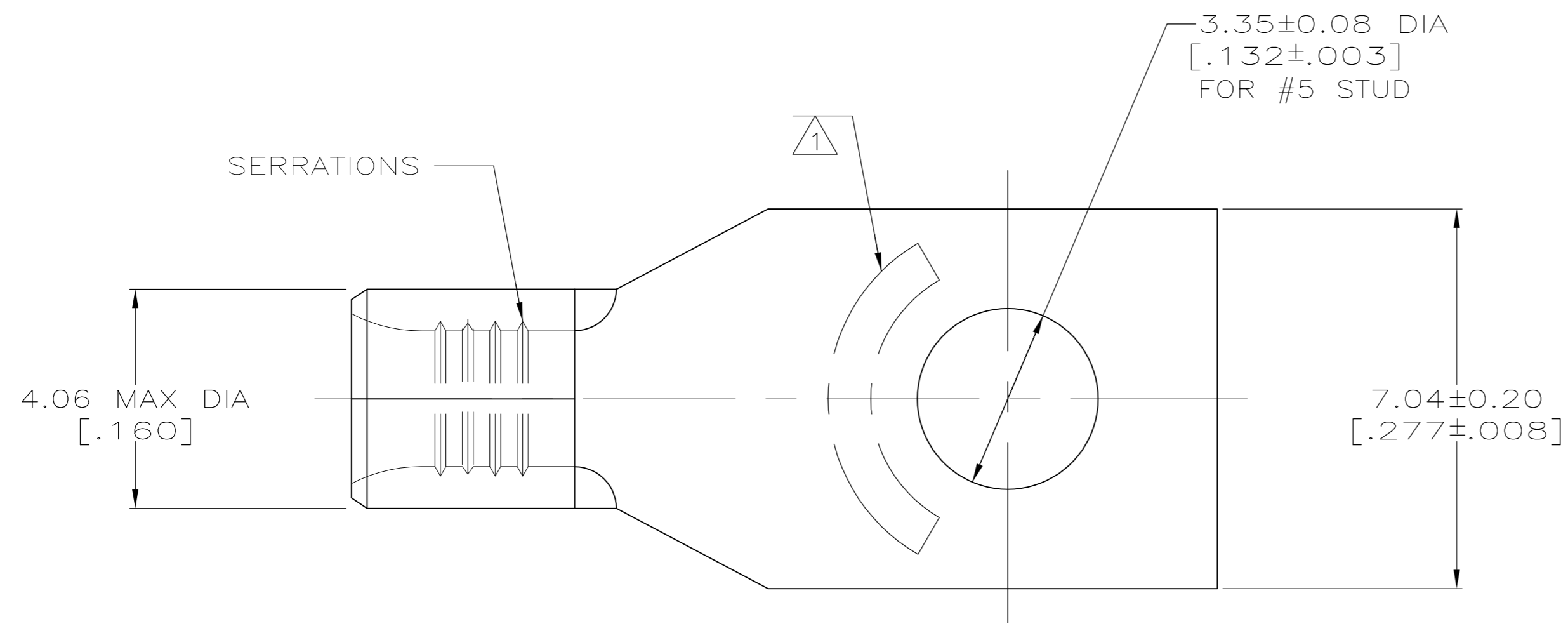


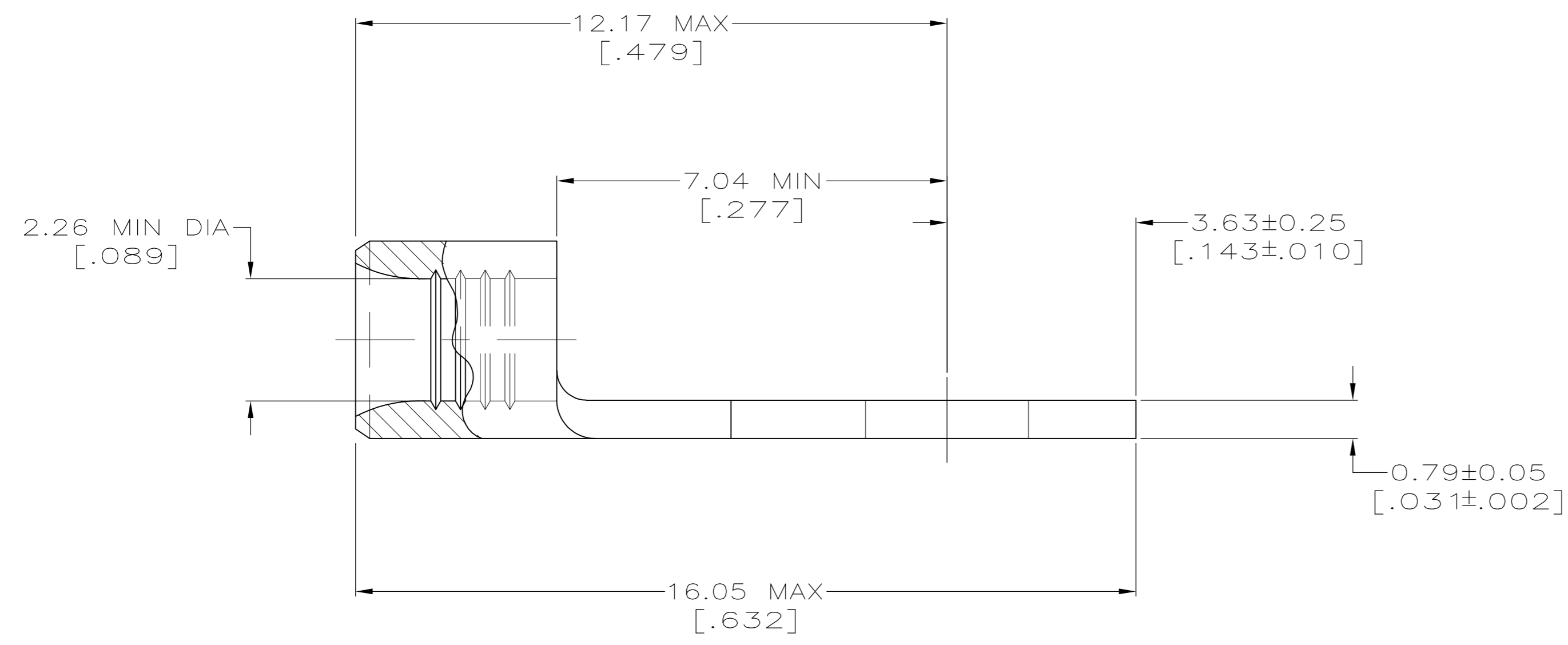
THIS DRAWING IS UNPUBLISHED. RELEASED FOR PUBLICATION
 © COPYRIGHT BY TYCO ELECTRONICS CORPORATION. ALL INTERNATIONAL RIGHTS RESERVED.

LOC		DIST		REVISIONS			
P	LTR	DESCRIPTION	DATE	DWN	APVD		
G	14	B	REV PER ECR-10-007996	19APRIL2010	RG	TM	



AMP WIRE RANGE	E13288 Listed
16-14 AWG STRANDED	16-14 AWG STRANDED

- 1 STAMP AMP 16-1, APPROX. AS SHOWN
- 2. RECOMMENDED OPERATING TEMPERATURE: 170°C MAX
- 3. WIRE CROSS SECTIONAL AREA RANGE: 1.04-2.62mm² [2,050-5,180 CIRCULAR MIL AREA] STRANDED
- 4 MATERIAL: COPPER PER ASTM B-152 ANNEALED
- 5 FINISH: TIN PLATE 0.00254 [.000100] MIN THK PER ASTM-B545



1000	LOOSE PIECE	327951
QTY	PACKAGE TYPE	PART NO.

THIS DRAWING IS A CONTROLLED DOCUMENT.		DWN R.GRZYBOWSKI 19APR2010	Tyco Electronics Corporation Harrisburg, PA 17105-3608	
DIMENSIONS: mm		CHK T.MICHIELUTI 19APRIL2010	NAME TERMINAL, RECTANGULAR TONGUE BUDGET	
TOLERANCES UNLESS OTHERWISE SPECIFIED:		APVD M.PERCHERKE 19APRIL2010	SIZE A2	CAGE CODE 00779
0 PLC ± -		PRODUCT SPEC	DRAWING NO C=327951	RESTRICTED TO
1 PLC ± -		APPLICATION SPEC	SCALE 10:1	SHEET 1 of 1
2 PLC ± -		WEIGHT	REV B	
3 PLC ± -				
4 PLC ± -				
ANGLES ± -				
FINISH				
- 4				
- 5				
MATERIAL		CUSTOMER DRAWING		