

- NOTE
- 1 LEAD CO-PLANARITY OF SIGNAL CONTACT TO BE 0.1 IN THE -0.1 TO +0.05 RANGE FROM PCB MOUNTING SURFACE.
 - 2 ASSEMBLY TOOL MARKS INDICATED IN THE FIGURE WILL NOT AFFECT PERFORMANCE.
 - 3 THIS PRODUCT SHALL BE MATED WITH A UNIT 'DH3+-27S' WHICH ASSEMBLED TO A COVER CASE 'DH-27-CV++'. AN ASSEMBLY OF THE UNIT NEEDS A CLAMP 'DH-27-CM+(++)'.
 - 4 AN ATTACHMENT TO THE PANEL NEEDS SCREWS SHOWN IN THE TABLE BELOW.

APPLICABLE PANEL THICKNESS(mm)	PART No.	CODE No.
1.4~1.6	DH-LNA	244-0045-0-00
0.9~1.2	DH-LNA-W4	244-0046-2-00
0.5~0.8	DH-LNA-W8	244-0004-2-00
NO PANEL	DH-LNA-W16	244-0005-5-00

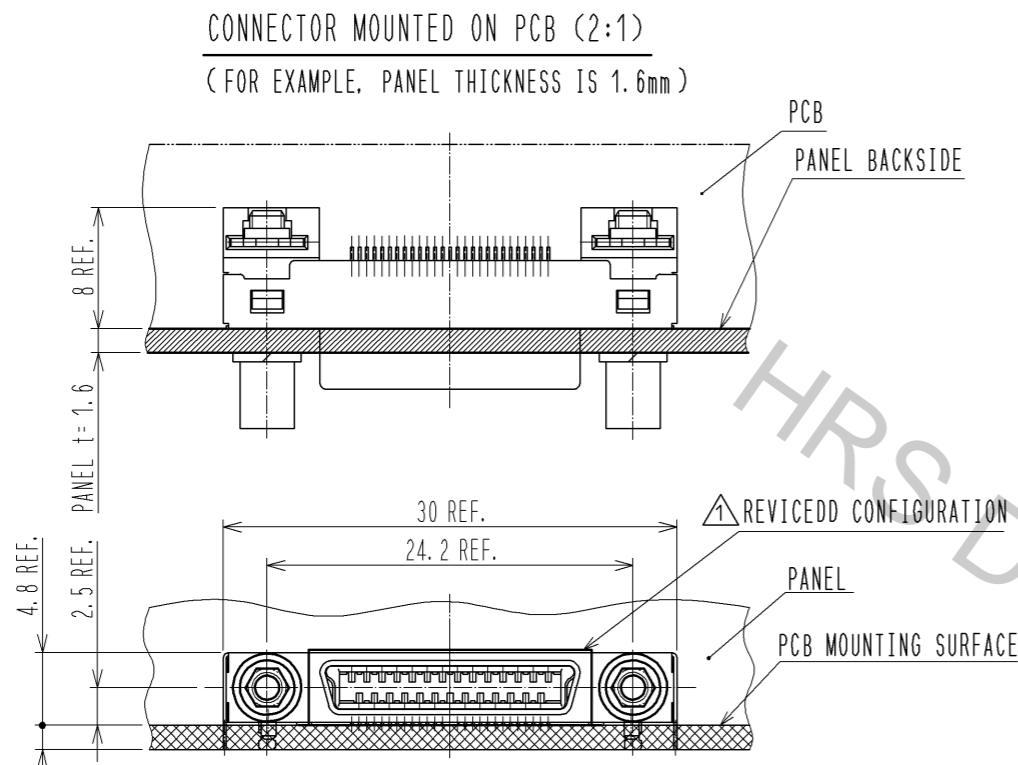
※THE RECOMMENDED SCREW TIGHTENING TORQUE TO BE FROM 0.12 TO 0.3 N·m.

NO.	MATERIAL	FINISH . REMARKS	NO.	MATERIAL	FINISH . REMARKS
2	PHOSPHOR BRONZE	CONTACT AREA: GOLD 0.2μm MIN LEAD AREA: GOLD 0.03μm MIN UNDER PLATING: NICKEL 1μm MIN	5	STAINLESS STEEL	LEAD PLATING: TIN1μm MIN UNDER PLATING: NICKEL 1μm MIN
1			4	STAINLESS STEEL	OVER PLATING: TIN1μm MIN UNDER PLATING: NICKEL 1μm MIN
			3	POLYAMID	BLACK, UL94V-0

UNITS	SCALE	COUNT	DESCRIPTION OF REVISIONS	DESIGNED	CHECKED	DATE
mm	4 : 1	1	DIS-E-004024	MT. ITANO	YH. ENAMI	11.11.18

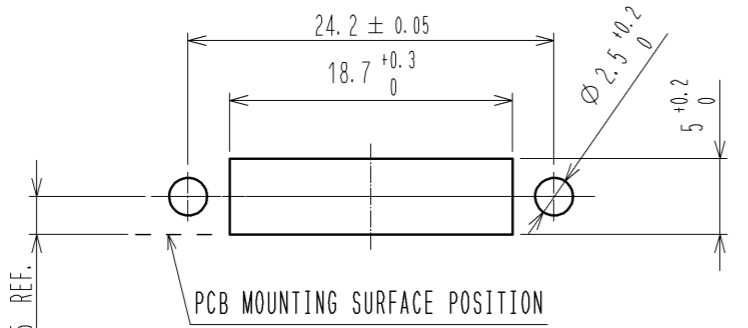
APPROVED	DATE	DRAWING NO.
KN. ICHIKAWA	09.11.16	EDC3-126268-00
CHECKED	DATE	PART NO.
KN. ICHIKAWA	09.11.16	DH60-27P
DESIGNED	DATE	CODE NO.
MO. SHIMOYAMA	09.11.16	CL244-0001-4-00
DRAWN	DATE	
TM. ONO	09.11.13	

Apr.1.2017 Copyright 2017 HIROSE ELECTRIC CO., LTD. All Rights Reserved.

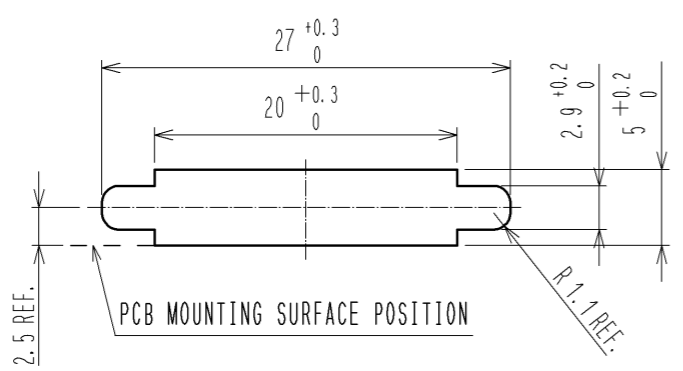


△ PANEL CUTOUT FOR REFERENCE (2:1)
(THE DIMENSION IS SPECIFIED BASED ON THE CENTER OF THE CONNECTOR INTERFACE.)

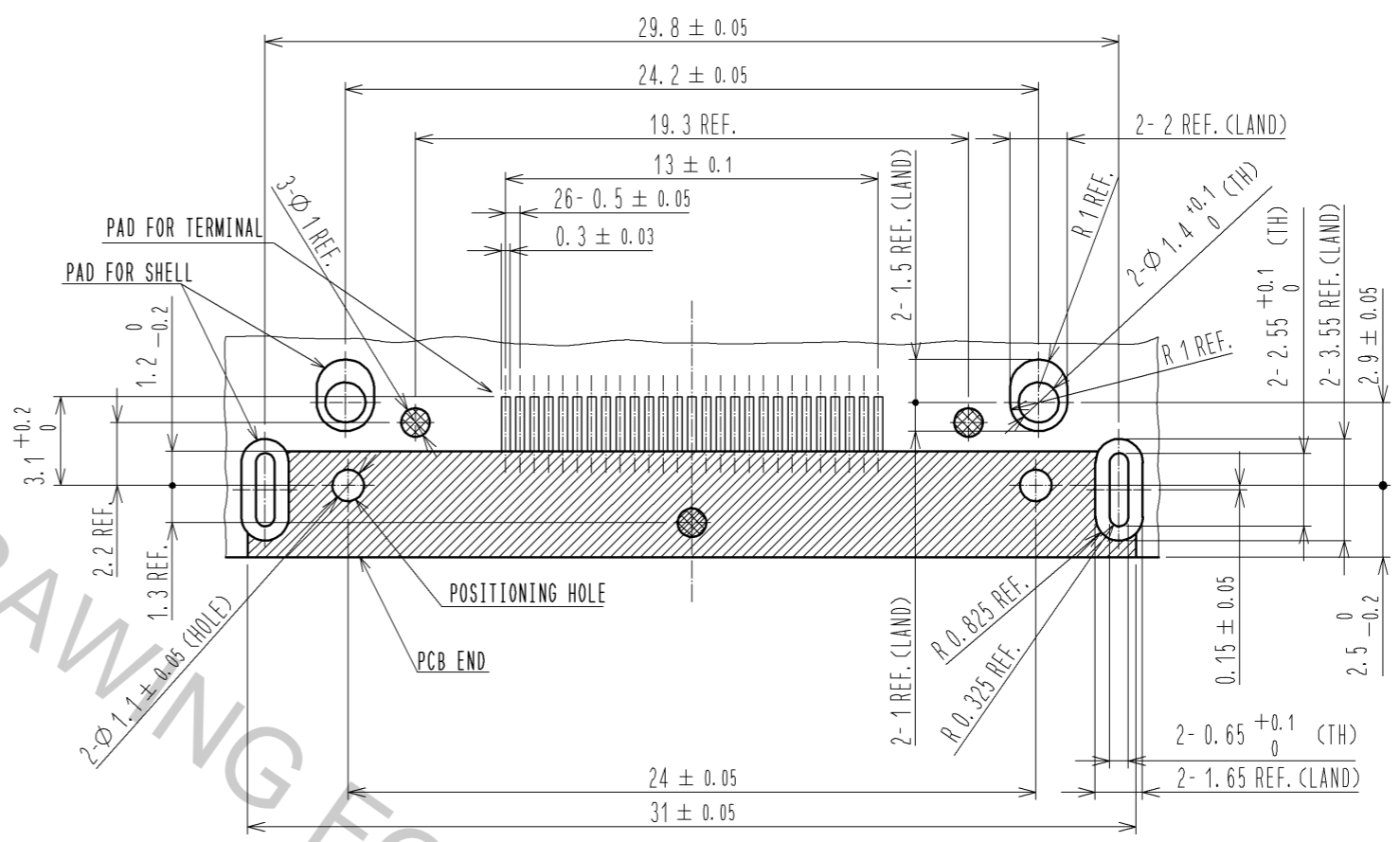
DH-LNA (CL244-0045-0-00) IS USED.



DH-LNA-W4 (CL244-0046-2-00)
DH-LNA-W8 (CL244-0004-2-00) IS USED.
△ DELETED

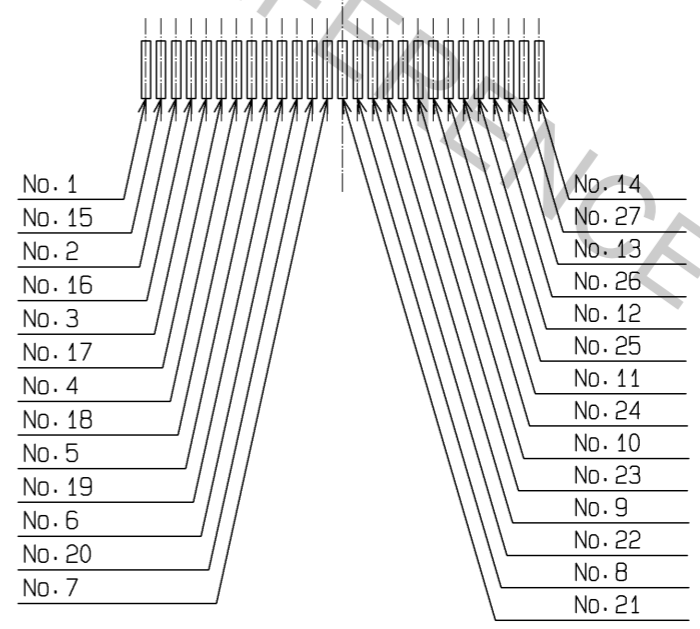


PCB LAYOUT FOR REFERENCE (MOUNTING SURFACE SIDE)



: PATTERN PROHIBITION AREA
 : REFERENCE PLANE POSITION

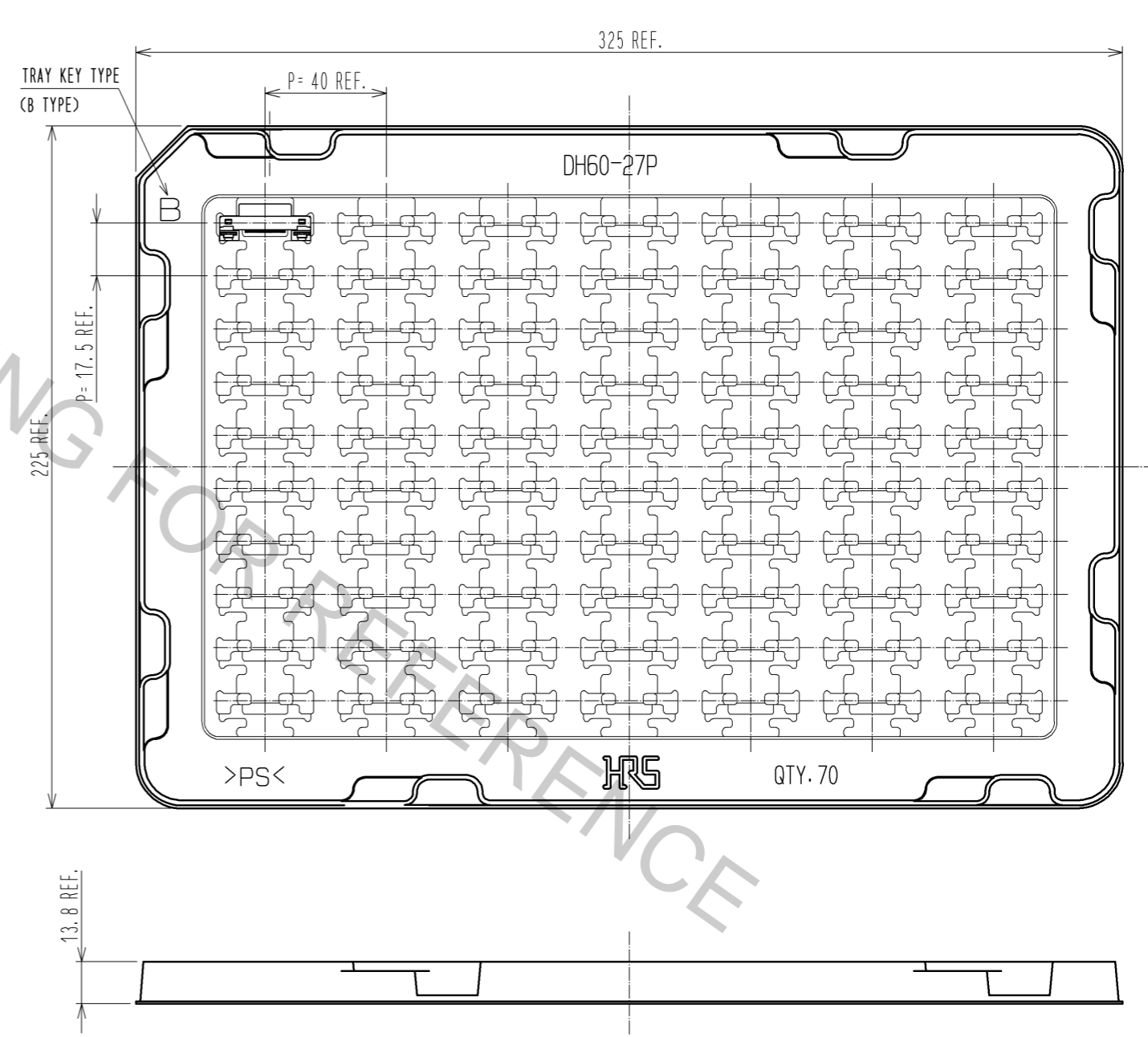
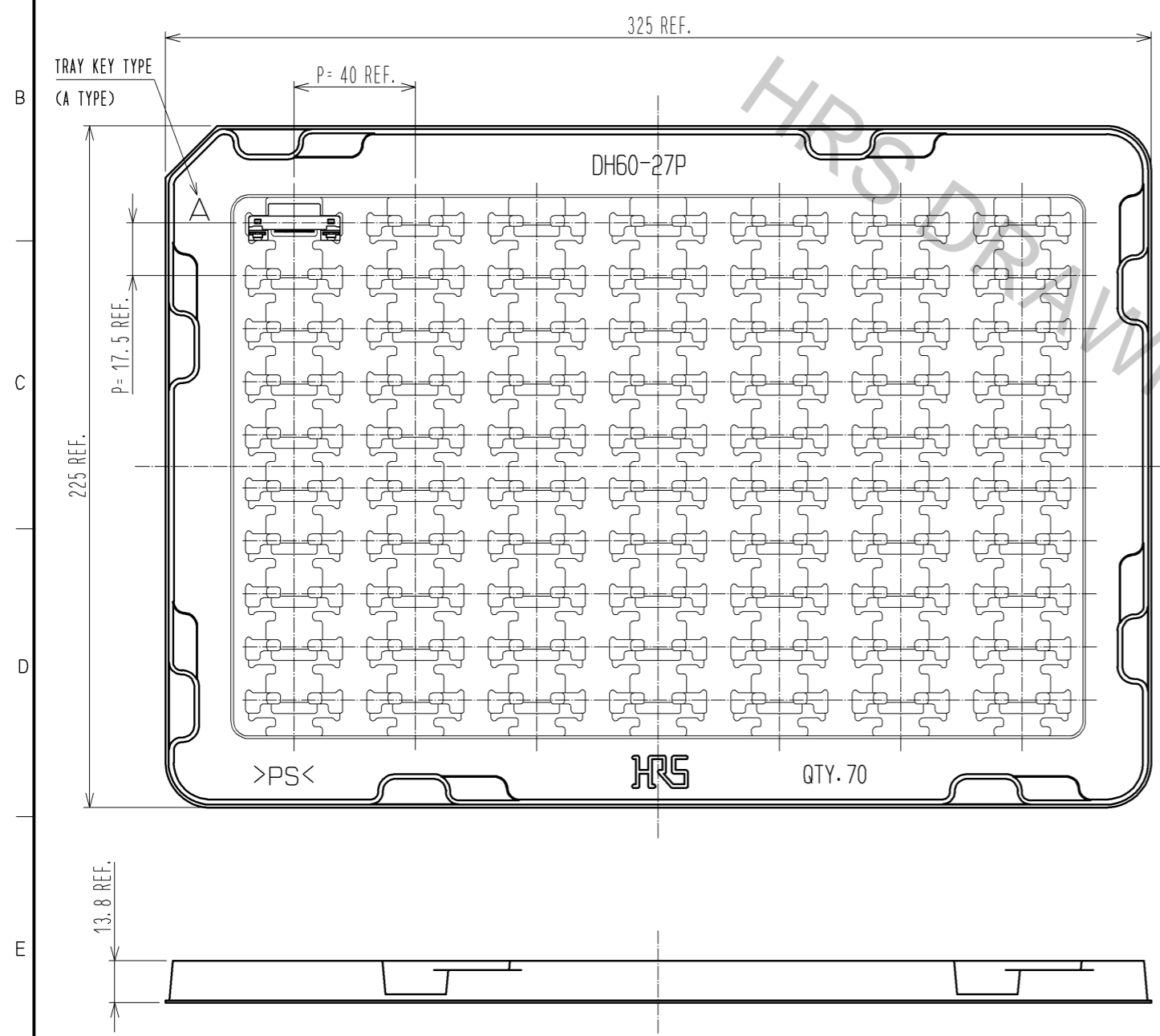
TERMINAL No. CHART



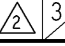
HRS	DRAWING NO.	EDC3-126268-00
	PART NO.	DH60-27P
	CODE NO.	CL244-0001-4-00
		2/3

Apr.1.2017 Copyright 2017 HIROSE ELECTRIC CO., LTD. All Rights Reserved.

DRAWING FOR PACKING (1:2)



※TRAYS, A TYPE AND B TYPE, ARE PILED UP ALTERNATELY.

HRS	DRAWING NO.	EDC3-126268-00	 3/3
	PART NO.	DH60-27P	
	CODE NO.	CL244-0001-4-00	