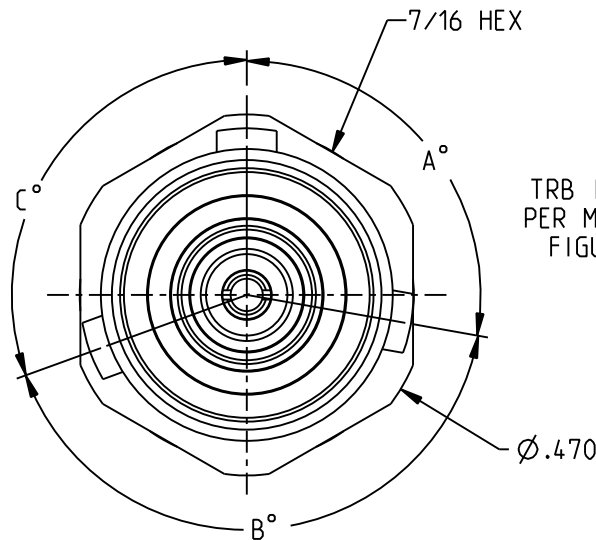
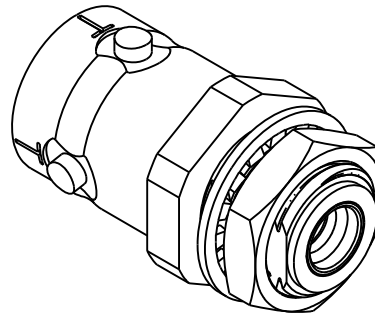
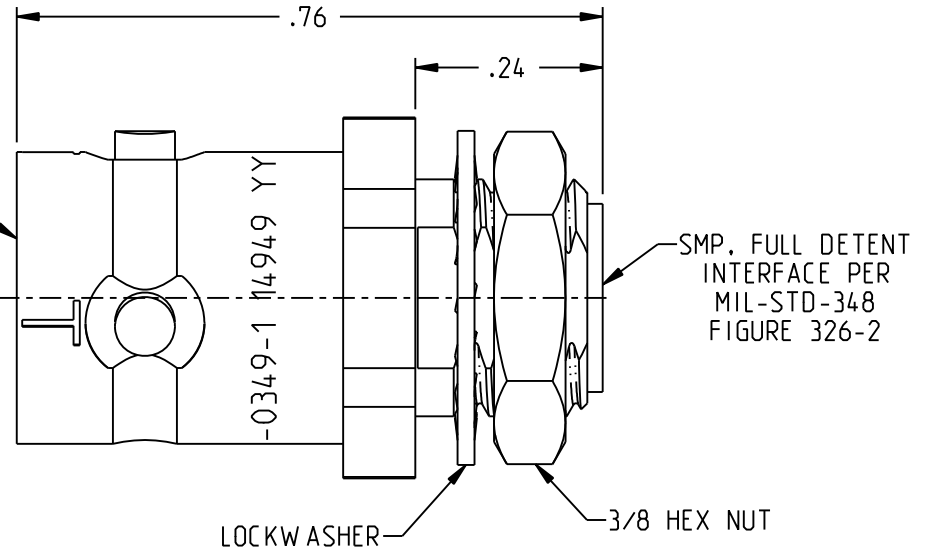


POLARIZATION CHART				
TROMPETER PART NO	KEYING LETTER	A°	B°	C°
3-0349-1	T	100	150	110
3-0349-2	U	120	130	110
3-0349-3	V	115	130	115
3-0349-4	W	125	110	125
3-0349-5	X	130	100	130
3-0349-6	Y	110	140	110
3-0349-7	Z	100	160	100
3-0349-8	S	135	135	90
3-0349-9	NONE	120	120	120



TRB INTERFACE
PER MIL-STD-348
FIGURE 201-2

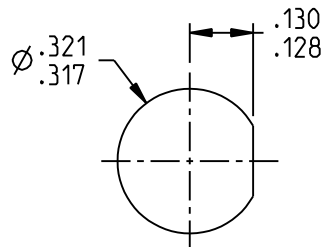


SMP, FULL DETENT
INTERFACE PER
MIL-STD-348
FIGURE 326-2

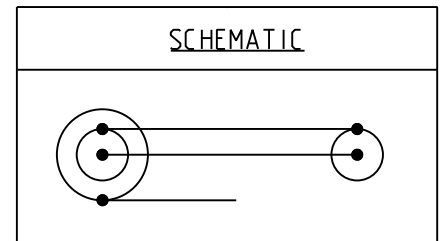
NOTES: UNLESS OTHERWISE SPECIFIED.

- MATERIAL & FINISH:
 - BODY: NICKEL PLATED BRASS
 - OUTER INSULATOR: PTFE (TEFLON)
 - INTERMEDIATE CONTACT: GOLD PLATED BRASS
 - DIELECTRIC: PTFE (TEFLON)
 - CENTER CONTACT: GOLD PLATED BERYLLIUM COPPER
 - MOUNTING HARDWARE: NICKEL PLATED COPPER ALLOY
- ELECTRICAL:
 - IMPEDANCE: NON-CONSTANT
 - FREQUENCY (MAX): 500 MHz
- PANEL THICKNESS (MAX): .10
- PANEL NUT TORQUE (MAX): 25 INCH POUND

3-0349-1 SHOWN



RECOMMENDED
PANEL CUTOUT



	3RD ANGLE PROJECTION 	TROMPETER		
	This PROPRIETARY Document is property of Cinch Connectivity Solutions. It is confidential in nature, non-transferable, and issued with the clear understanding that it is not traced or copied without permission and is returnable upon demand.	RoHS2 <input checked="" type="checkbox"/> 2011/65/EU	Title: ADAPTER, TRB JAC TO SMP MALE FULL DETENT BLKHD MNT.	
INTERPRET DRAWING IN ACCORDANCE WITH ASME Y14.5-2009.	UNLESS OTHERWISE SPECIFIED UNITS: INCH .XX ±.02 .XXX ±.010 ANGLES ±2°	Model No. 3-0349-X	Size A DO NOT SCALE DRAWING	Date: 11/29/2017 Sheet 1 OF 1