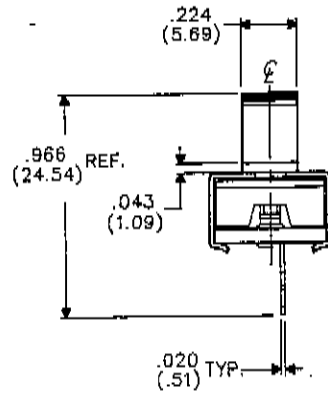
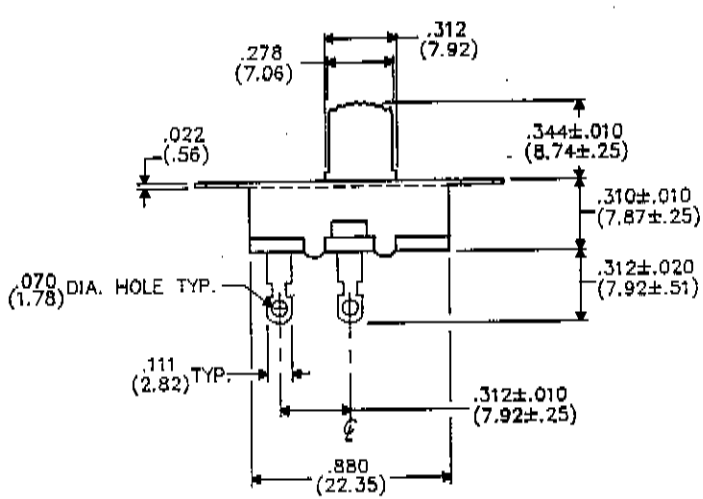
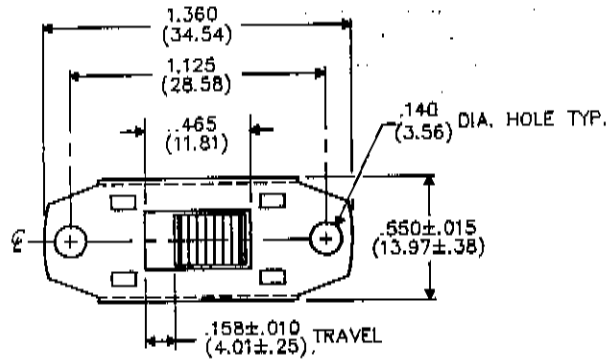


DIMENSIONS IN INCHES (MILLIMETERS)  
DO NOT SCALE DRAWING...

Drawing No. **GF-423-0017**



B-FORM-Q  
REVISIONS  
RELEASED SPR 3-12-93  
1/23/93

**CW INDUSTRIES**  
Southampton, Pa. 18966

TOLERANCES UNLESS OTHERWISE SPECIFIED  
2 Place decimal ±.010 METRIC  
3 Place decimal ±.005 1 Place dec ±.25 MM  
Angles ±1° 2 Place dec ±.13 MM

Made for CW IND.  
Drawn by SPR 3-12-93  
Checked by G. GOLD 3-16-93  
Approval [Signature] 3-16-93

Title **SWITCH ASSEMBLY S.P.-S.T. ROUND KNURL**

Division **SWITCH**

Drawing No. **GF-423-0017**