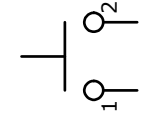
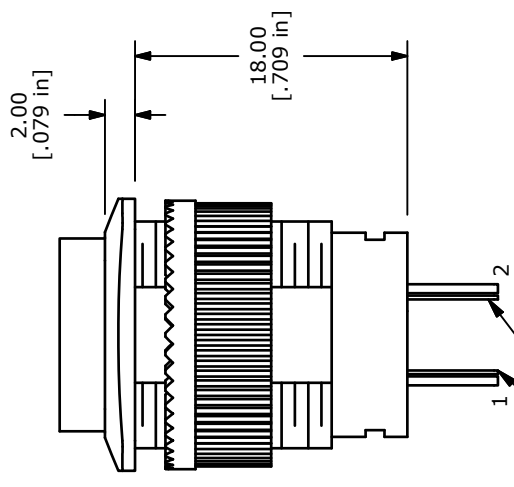
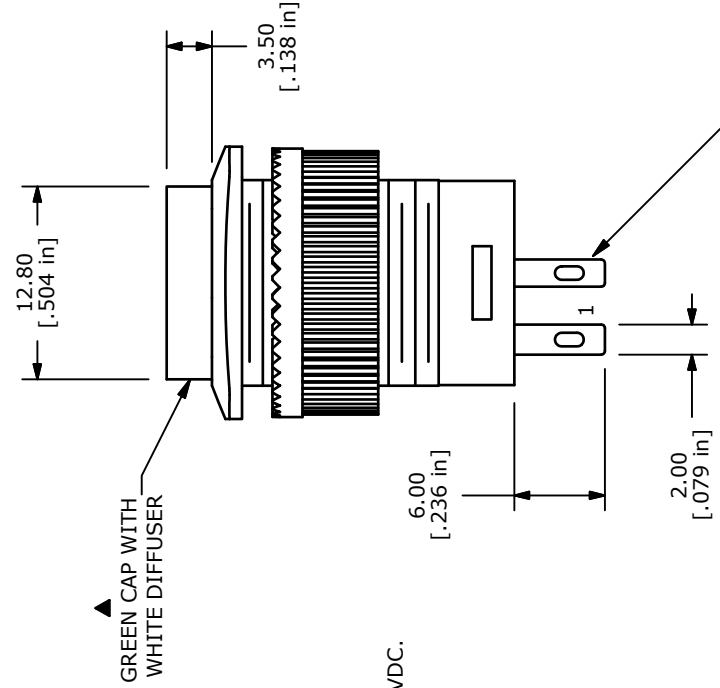
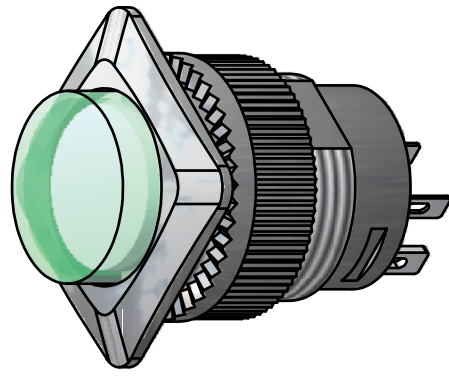
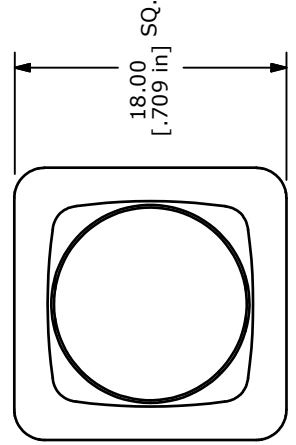
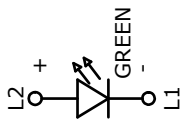


PANEL MOUNTING



CIRCUIT: SPST LATCHING



| ▲ LED SPECS        | UNITS | GREEN   |
|--------------------|-------|---------|
| FORWARD CURRENT    | mA    | 20      |
| FORWARD VOLTAGE    | V     | 2.0-2.6 |
| LUMINOUS INTENSITY | MCD   | 100     |

- NOTE:
1. ALL DIMENSIONS IN MM [INCH]
  2. GENERAL TOLERANCE: X.X=±0.4 X.XX=±0.25
  3. TERMINAL NUMBERS FOR REF ONLY
  4. CIRCUIT: SPST OFF - ON
  5. CONTACT RATING: 3A @ 125VAC, 1.5A @250VAC
  6. ELECTRIC LIFE: 6,000 CYCLES AT FULL LOAD MIN.
  7. CONTACT RESISTANCE: 50 milli-OHM max. (INITIAL)
  8. INSULATION RESISTANCE: 100 MEGA-OHM min. @ 500VDC.
  9. DIELECTRIC STRENGTH: 1,500VAC FOR 1 MINUTE.
  10. LED: GREEN
  11. OPERATING TEMPERATURE: -0°C TO +65°C.
  12. PANEL THICKNESS RANGE: 7.0 mm MAX.
  13. ▲DENOTES CRITICAL PARAMETER.
  14. 2002/95/EC (ROHS) COMPLIANT
  15. HARDWARE INCLUDED: Mounting Nut



TITLE RP3508BBLKGRNRNNS

|     |        |                |         |     |
|-----|--------|----------------|---------|-----|
| E   | 19613  | DRAWING UPDATE | 1/20/11 | BGL |
| REV | PCR NO | DESCRIPTION    | DATE    | BY  |

THE INFORMATION CONTAINED IN THIS DOCUMENT IS PROPRIETARY TO E-SWITCH AND IS NOT TO BE COPIED OR TRANSFERRED

|       |       |      |           |    |     |     |         |     |   |
|-------|-------|------|-----------|----|-----|-----|---------|-----|---|
| SCALE | 2 : 1 | DATE | 1/21/2011 | DR | BGL | DWG | F130414 | REV | E |
|-------|-------|------|-----------|----|-----|-----|---------|-----|---|