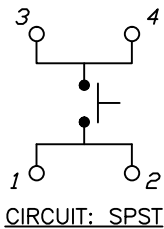
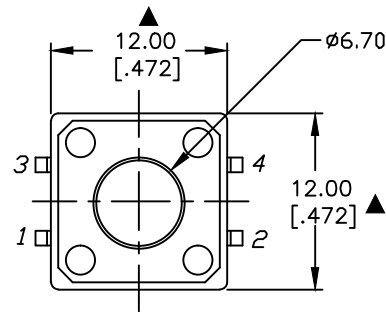
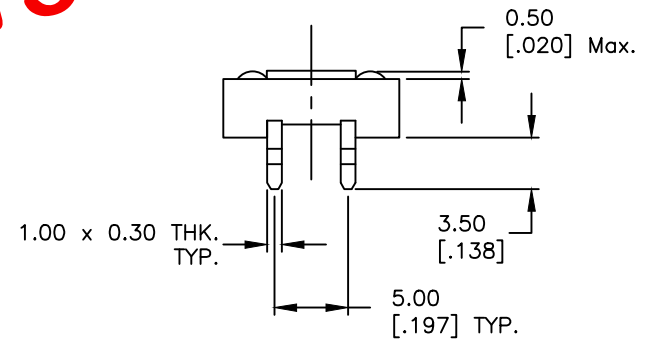
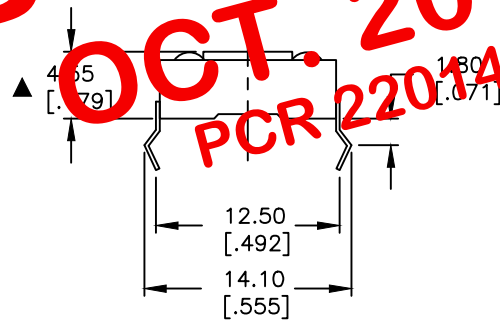


RECOMMENDED P.C.B. LAYOUT



OBSOLETE
OCT. 2015
PCR 22014



NOTES:

1. ALL DIMENSIONS IN MM [INCH]
2. GENERAL TOLERANCE: X.X=±0.4
X.XX=±0.25
3. TERM. NOS. FOR REF. ONLY
- ▲ 4. RATING: 50mA, @12V DC
5. TRAVEL: 0.30±0.15mm
- ▲ 6. OPERATING FORCE: 160±50gf
7. CONTACT RESISTANCE: 100 MILLIOHMS Max.
8. ELECTRICAL LIFE: 100,000 CYCLES MIN.
9. ▲ DENOTES CRITICAL PARAMETER.

E-SWITCH®

TITLE					TL1100BF160Q				
SCALE	2:1	DATE	8/5/03	DR	AR	DWG	P001113	REV	A

REV.	A	ECN No.	13347	DESCRIPTION	RELEASED FOR PRODUCTION	DATE	8/5/03	CHKD	AR
------	---	---------	-------	-------------	-------------------------	------	--------	------	----

THE INFORMATION CONTAINED IN THIS DOCUMENT IS PROPRIETARY TO E-SWITCH AND IS NOT TO BE COPIED OR TRANSFERRED